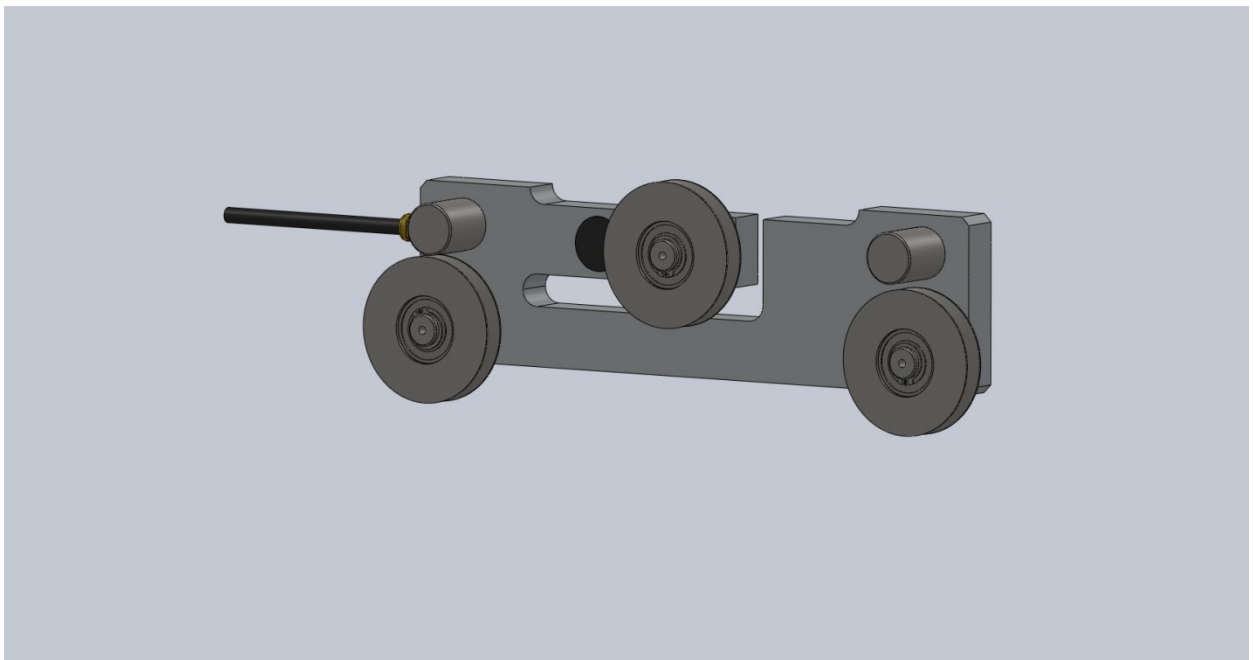


# 1100 RLT Small rope Series

---

## RLT rope tensiometer

- Range 6 to 12mm
- Stainless steel.
- Sealed to IP67



## Description

The small rope running line tensiometer is manufactured from high strength stainless steel. The rope can easily be applied to the transducer. It is fitted with a protection cover.

## Specification

### ELECTRICAL

- Recommended excitation 10 Vdc.
- Maximum excitation 15 Vdc.
- Output at rated load 1.5mV/V
- Zero balance 5% of RL
- Input impedance 350ohms +/-20
- Output impedance 350ohm +/-3
- Insulation >10<sup>9</sup>ohms
- Compensation temp range 10 to 60 C
- Safe temp range -30 to 70 C

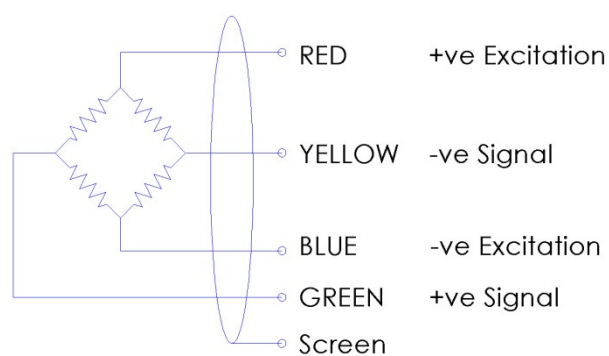
### MECHANICAL

- Safe overload 150% of RL
- Ultimate overload 300% of RL
- Deflection <0.5mm
- Cable type 4 core screened
- Cable length 10 M
- Sealed IP67

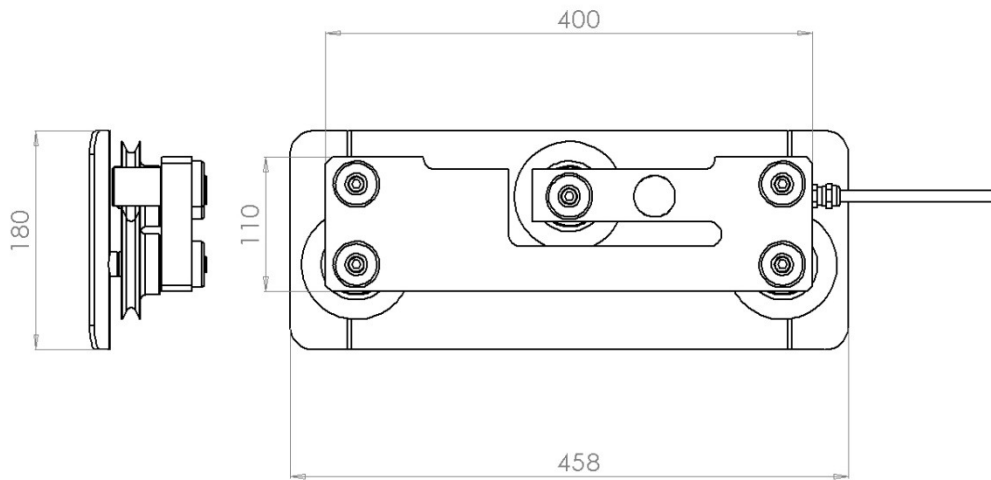
## Accuracy

- Non linearity & hysteresis 2.0%
- Non repeatability <0.25%
- Zero return (after 30 mins). 0.05%
- Temp effect/10deg C on zero 0.02%
- Temp effect/10deg C on span 0.02%

## Wiring



## Drawing



## Additional Notes

Specification may change without notice