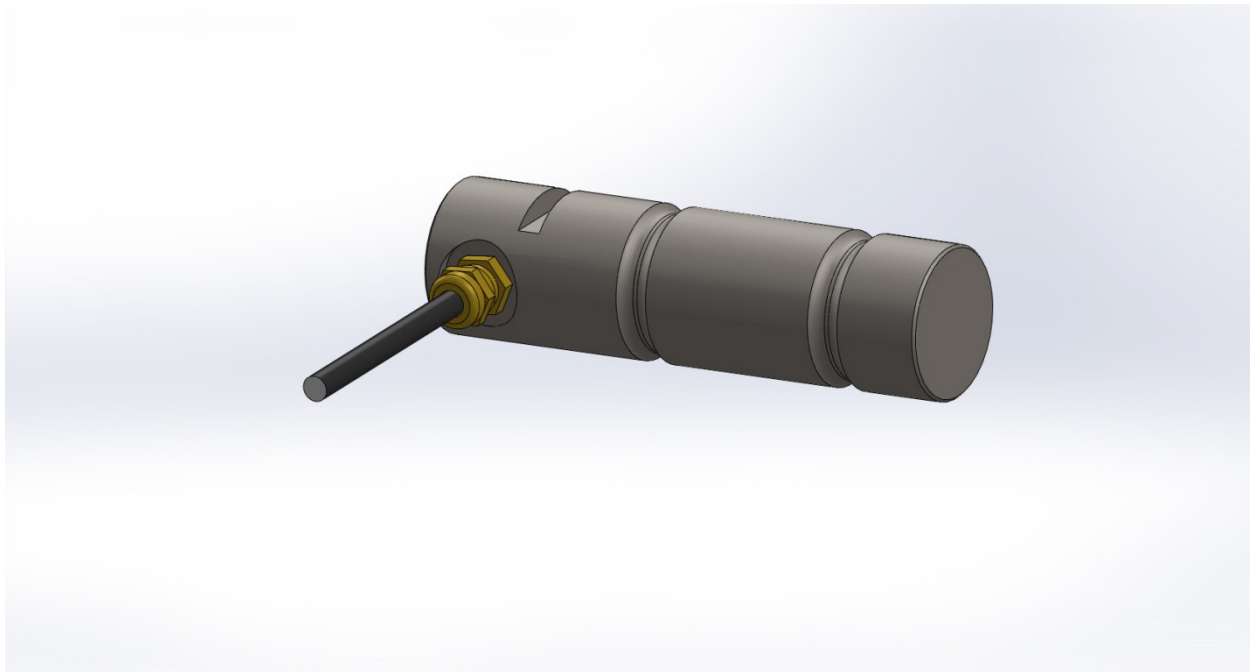


# 2950 Standard Load Pin

---

## Standard Load Pin Cell

- Range 5 to 150te
- Stainless steel pin.
- Rugged and easily employed
- Sealed to IP67



## Description

The industrial Standard Load Pin series of load cells are designed for measuring tensile and compressive loads using a double shear strain gauged shear pin. The range is from 5 tonne to 150tonne, with larger capacities available by request. The load pin is manufactured from high strength stainless steel. The load cell is used for both temporary and permanent applications.

## Specification

### ELECTRICAL

- Recommended excitation 10 Vdc.
- Maximum excitation 15 Vdc.
- Output at rated load 1.5mV/V
- Zero balance 5% of RL
- Input impedance 700ohms +/-20
- Output impedance 700ohm +/-3
- Insulation  $>10^9$ ohms
- Compensation temp range 10 to 60 C
- Safe temp range -30 to 70 C

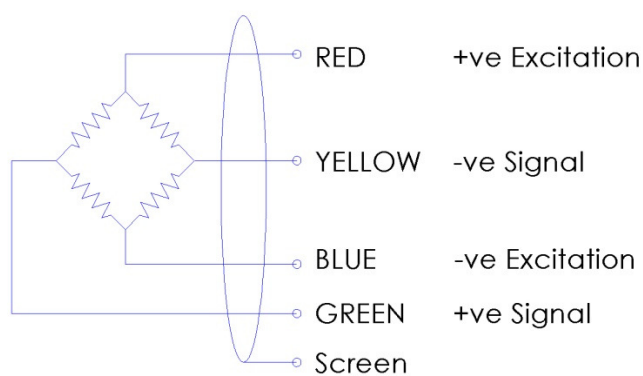
### MECHANICAL

- Safe overload 150% of RL
- Ultimate overload 300% of RL
- Deflection  $<0.5$ mm
- Cable type 4 core screened
- Cable length 10 M
- Sealed IP67

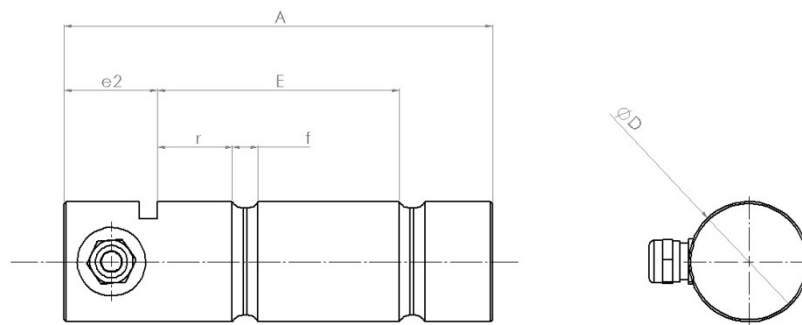
## Accuracy

- Non linearity & hysteresis 1.0%
- Non repeatability  $<0.25$ %
- Zero return (after 30 mins). 0.05%
- Temp effect/10deg C on zero 0.02%
- Temp effect/10deg C on span 0.02%

## Wiring



## Drawing



## Dimensions

RATING te	D mm	A mm	e2 mm	E mm	r mm	f mm	Remarks
5	35	145	40	56	15	14	
10	50	180	40	86	20	14	
15	55	214	40	113	27	14	
20	65	244	40	143	27	14	
50	85	320	45	188	42	20	
75	100	380	45	233	57	20	
100	110	440	50	263	67	20	
150	140	560	60	338	92	20	

## Additional Notes

Specification may change without notice