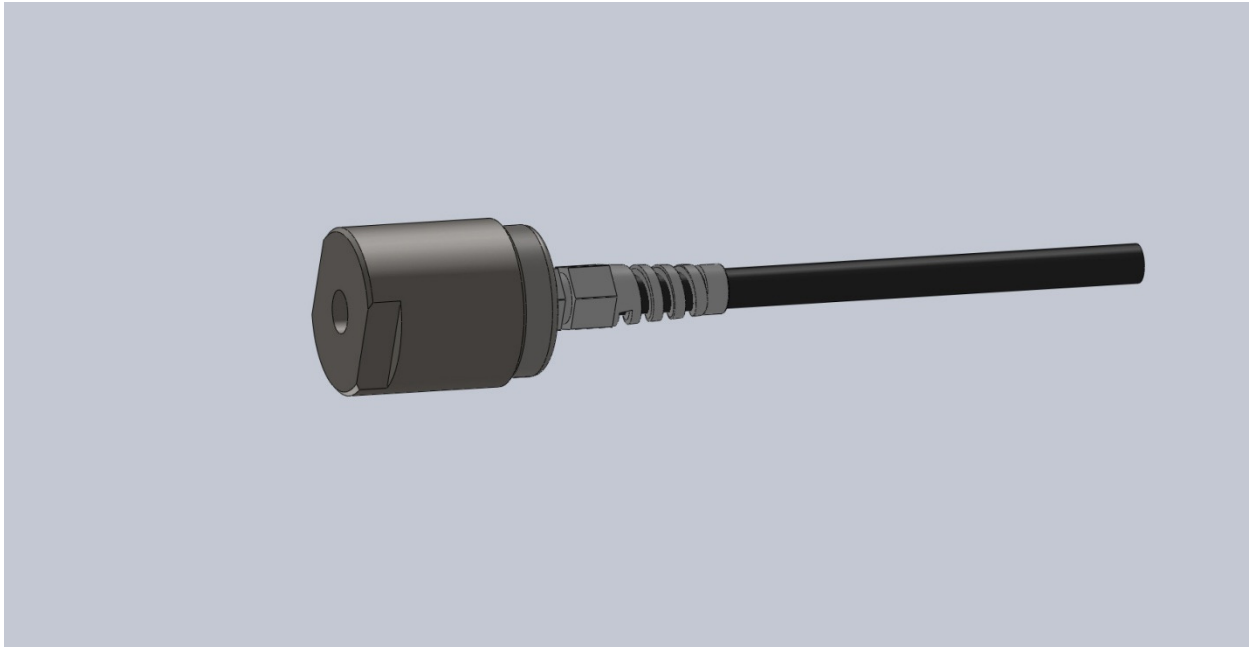


4500 Wide Pressure

Pressure

- Range 100 to 700bar
- Stainless steel element.
- Rugged and easily employed
- Sealed to IP67



Description

The 4500 wide series pressure transducer has full environmental protection and is built for rugged applications. The pressure transducer is constructed from high strength stainless steel element and cover. A complete range covers the pressures from 100 to 700 bar. Each transducer can be fitted with standard metric pressure fittings. The pressure transducer is built to the highest commercial standards that include temperature compensation over a wide temperature range.

Specification

ELECTRICAL

- Recommended excitation 10 Vdc.
- Maximum excitation 15 Vdc.
- Output at rated load 2.0mV/V
- Zero balance 5% of RL
- Input impedance 350ohms +/-20
- Output impedance 350ohm +/-3
- Insulation $>10^9$ ohms
- Compensation temp range 10 to 60 C
- Safe temp range -30 to 70 C

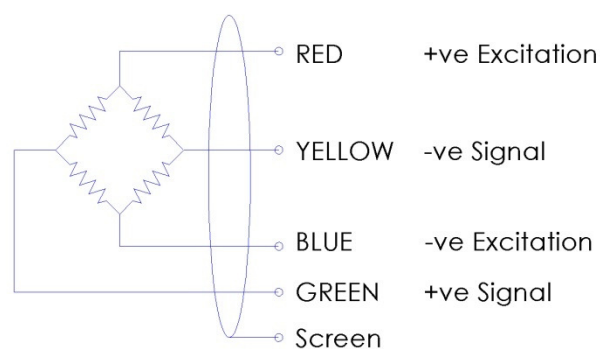
MECHANICAL

- Safe overload 150% of RL
- Ultimate overload 300% of RL
- Deflection <0.5 mm
- Cable type 4 core screened
- Cable length 6 M
- Sealed IP67

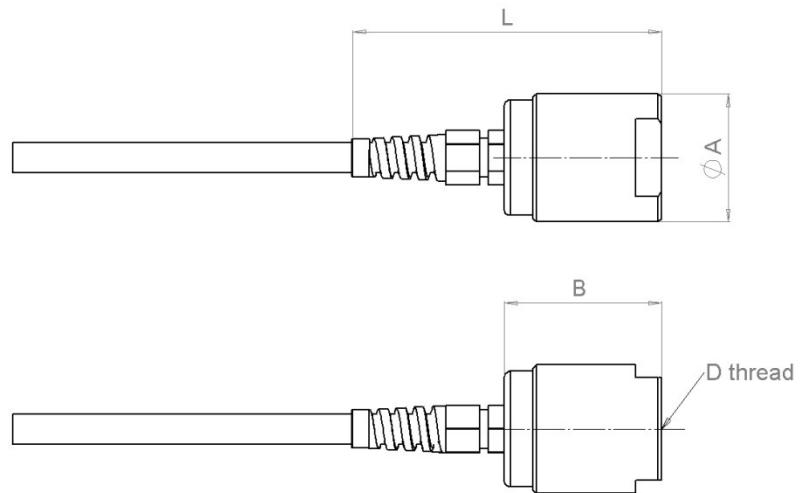
Accuracy

- Non linearity & hysteresis 0.15%
- Non repeatability $<0.02\%$
- Zero return (after 30 mins). 0.04%
- Temp effect/10deg C on zero 0.02%
- Temp effect/10deg C on span 0.02%

Wiring



Drawing



Dimensions

RATING bar	A mm	B mm	L mm	D mm
100	40	50	95	1/4 BSP
250	40	50	95	1/4 BSP
350	40	50	95	1/4 BSP
500	40	50	95	1/4 BSP
700	40	50	95	1/4 BSP

Additional Notes

Specification may change without notice