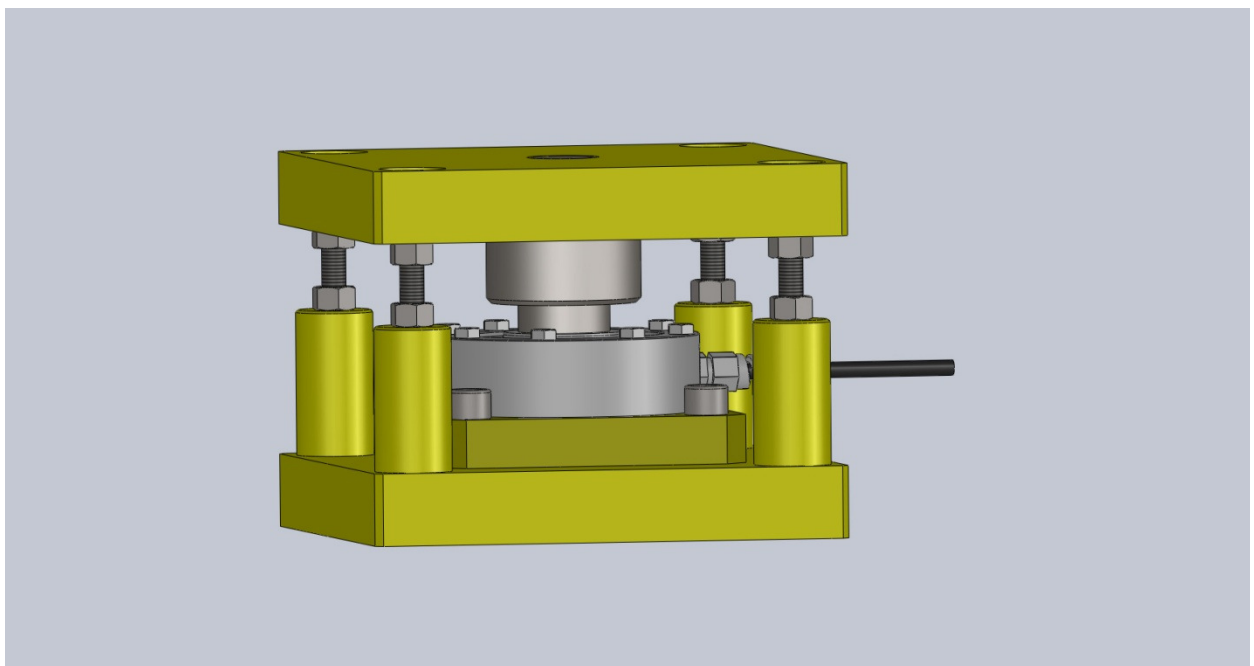


6050 Low Profile Load Cell

Compressive Load Cell

- Range 2 to 50te
- Stainless steel construction.
- Rugged and easily employed
- Sealed to IP68



Description

The 6050 low profile load cell has full environmental protection and is built for rugged applications. The load cell is constructed from high strength stainless steel. A complete range covers the load capacities from 2 to 50 tonne. Each load cell assembly can be fitted with additional fitting. The cell is built to the highest commercial standards that include temperature compensation over a wide temperature range.

Specification

ELECTRICAL

- Recommended excitation 10 Vdc.
- Maximum excitation 15 Vdc.
- Output at rated load 2.0mV/V
- Zero balance 5% of RL
- Input impedance 700ohms +/-20
- Output impedance 700ohm +/-3
- Insulation $>10^9$ ohms
- Compensation temp range 10 to 60 C
- Safe temp range -30 to 70 C

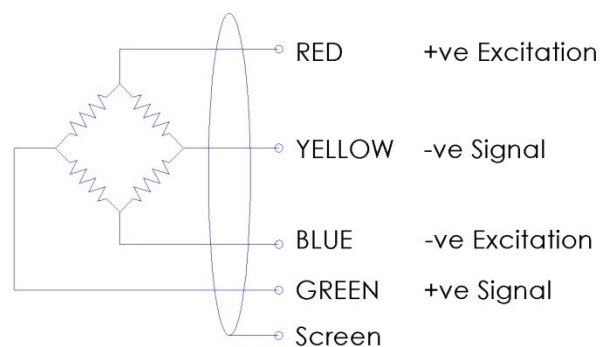
MECHANICAL

- Safe overload 150% of RL
- Ultimate overload 300% of RL
- Deflection <0.5 mm
- Cable type 4 core screened
- Cable length 10 M
- Sealed IP68

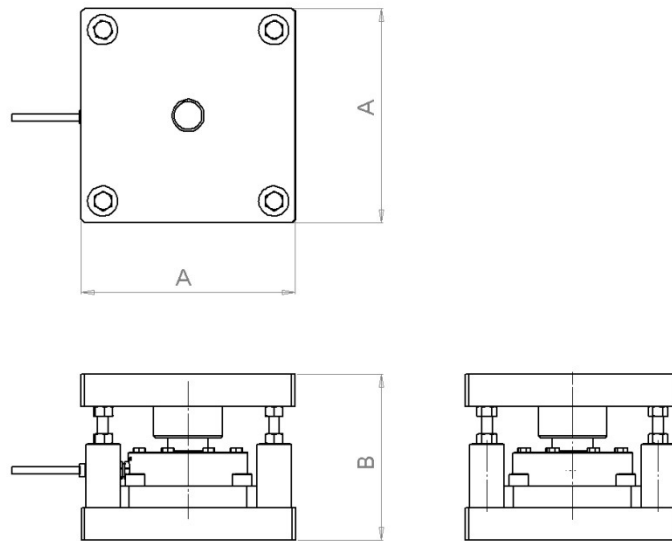
Accuracy

- Non linearity & hysteresis 0.15%
- Non repeatability <0.05 %
- Zero return (after 30 mins). 0.04%
- Temp effect/10deg C on zero 0.02%
- Temp effect/10deg C on span 0.02%

Wiring



Drawing



Dimensions

RATING te	A mm	B mm	Remarks
2	200	155	
5	200	155	
10			
15			
25			
50			

Additional Notes

Specification may change without notice