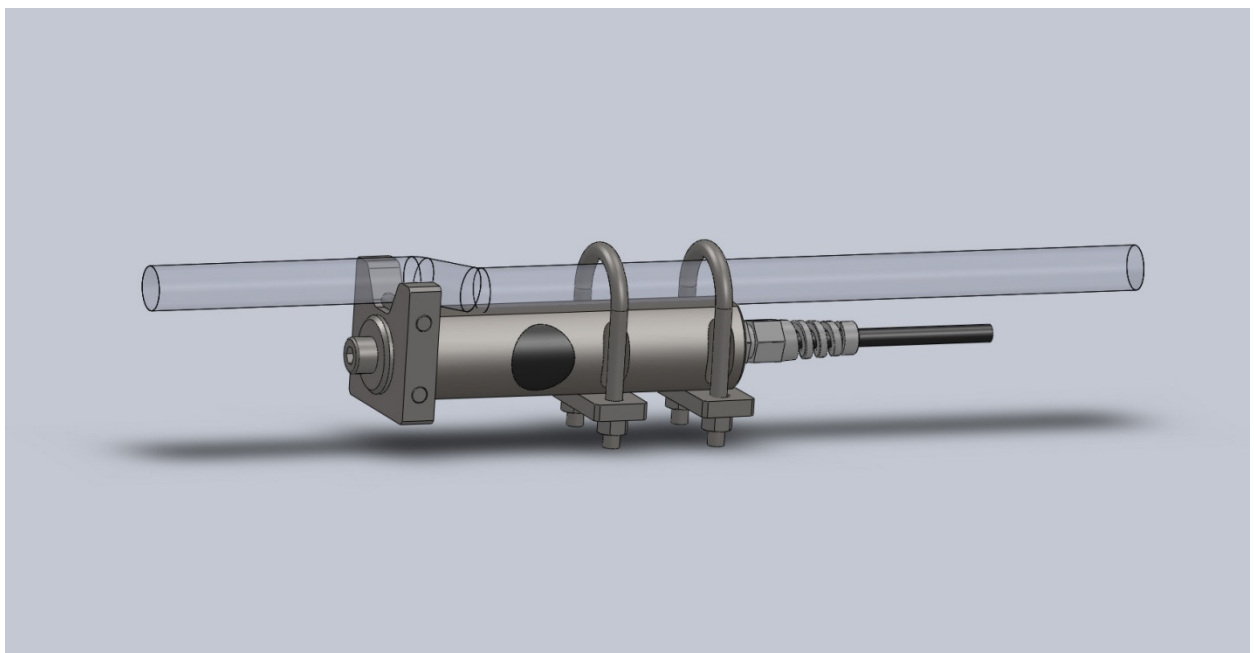


# 6100 U-Clamp Series

---

## Rope Clamp-on Load Cell

- Range 750 to 7000kg
- Stainless steel.
- Rope sizes 10mm to 19mm
- Sealed to IP67



## Description

Parallel clamping system negates the need to alter the standard rope installations, allowing straightforward fitting to existing systems.

Options: Other ranges available on request.

Interchangeable loading plate for various rope sizes.

## Specification

### ELECTRICAL

- Recommended excitation 10 Vdc.
- Maximum excitation 15 Vdc.
- Output at rated load 1.5mV/V
- Zero balance 5% of RL
- Input impedance 350ohms +/-20
- Output impedance 350ohm +/-3
- Insulation >10<sup>9</sup>ohms
- Compensation temp range 10 to 60 C
- Safe temp range -30 to 70 C

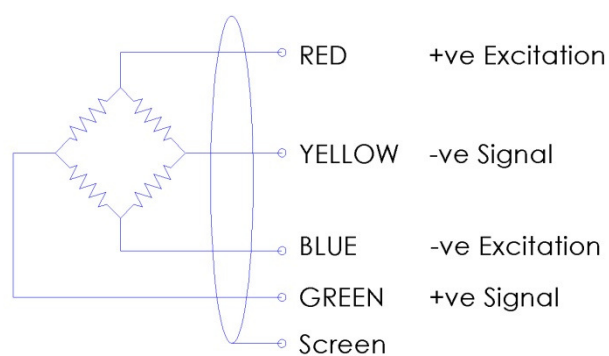
### MECHANICAL

- Safe overload 150% of RL
- Ultimate overload 300% of RL
- Deflection <0.5mm
- Cable type 4 core screened
- Cable length 10 M
- Sealed IP67

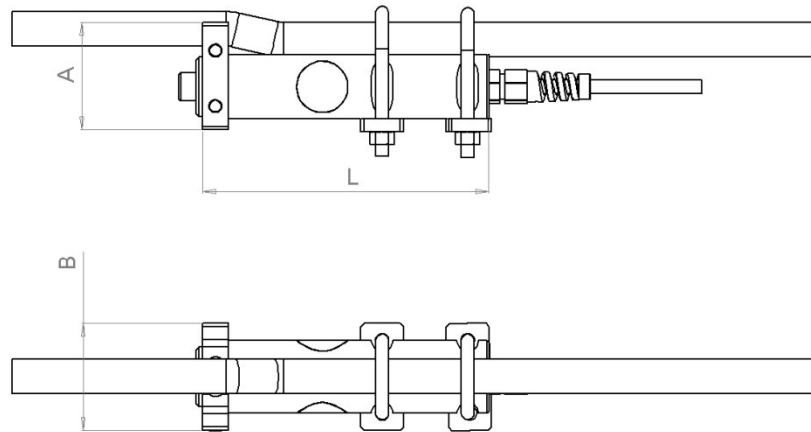
## Accuracy

- Non linearity & hysteresis 1.0%
- Non repeatability <0.25%
- Zero return (after 30 mins). 0.05%
- Temp effect/10deg C on zero 0.02%
- Temp effect/10deg C on span 0.02%

## Wiring



## Drawing



## Dimensions

Rope size mm	A mm	B mm	L mm	REMARKS
8-10	50	50	136	
11-13	50	50	136	
14-16	50	50	136	
18-19	50	50	136	

## Additional Notes

Specification may change without notice