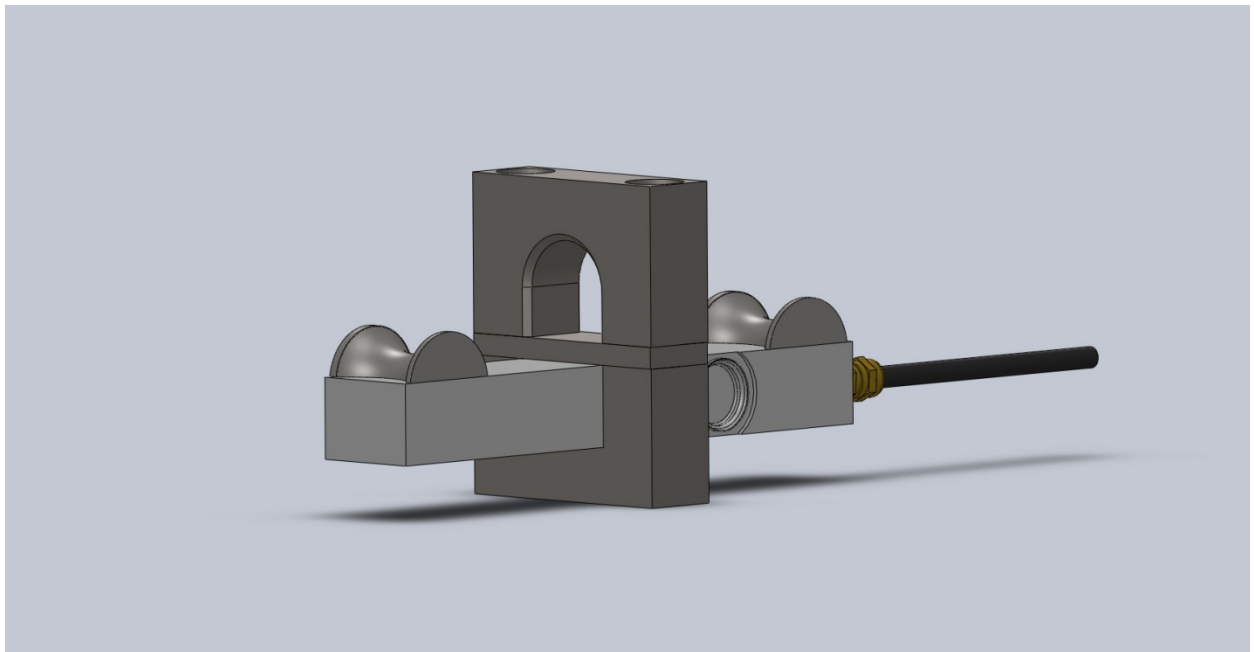


6200 Clamp-on Series

Rope Clamp-on Load Cell

- Range 750 to 7000kg
- Fully welded stainless steel.
- Rope sizes 10mm to 25mm
- Sealed to IP68



Description

Parallel clamping system negates the need to alter the standard rope installations, allowing straightforward fitting to existing systems.

Options: Other ranges available on request.

Interchangeable blocks to vary load capacities and rope sizes.

Specification

ELECTRICAL

- Recommended excitation 10 Vdc.
- Maximum excitation 15 Vdc.
- Output at rated load 1.0mV/V
- Zero balance 5% of RL
- Input impedance 350ohms +/-20
- Output impedance 350ohm +/-3
- Insulation $>10^9$ ohms
- Compensation temp range 10 to 60 C
- Safe temp range -30 to 70 C

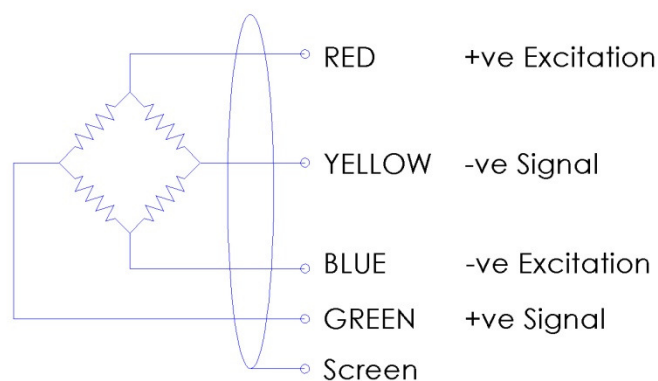
MECHANICAL

- Safe overload 150% of RL
- Ultimate overload 300% of RL
- Deflection <0.5 mm
- Cable type 4 core screened
- Cable length 10 M
- Sealed IP68

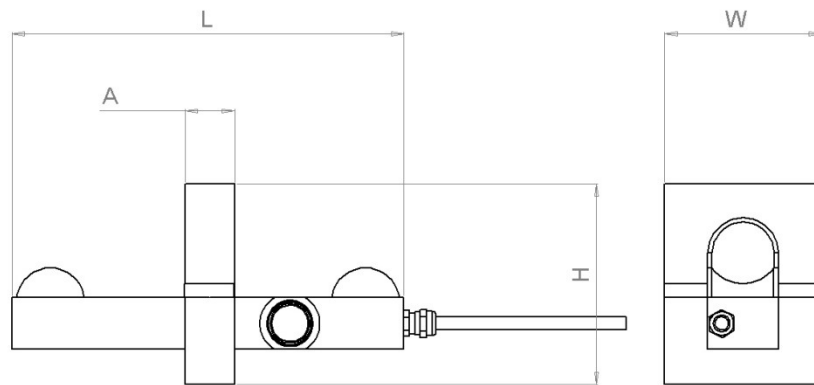
Accuracy

- Non linearity & hysteresis 1.0%
- Non repeatability <0.25 %
- Zero return (after 30 mins). 0.05%
- Temp effect/10deg C on zero 0.02%
- Temp effect/10deg C on span 0.02%

Wiring



Drawing



Dimensions

Rope size mm	A mm	H mm	L mm	W mm	Rope Load kg
8-10	25	80	188	110	750
11-13	25	80	188	110	1700
14-16	25	80	188	110	3000
18-19	25	80	188	110	4000
20-22	25	80	188	110	5700
24-26	25	80	188	110	7000

Additional Notes

Specification may change without notice