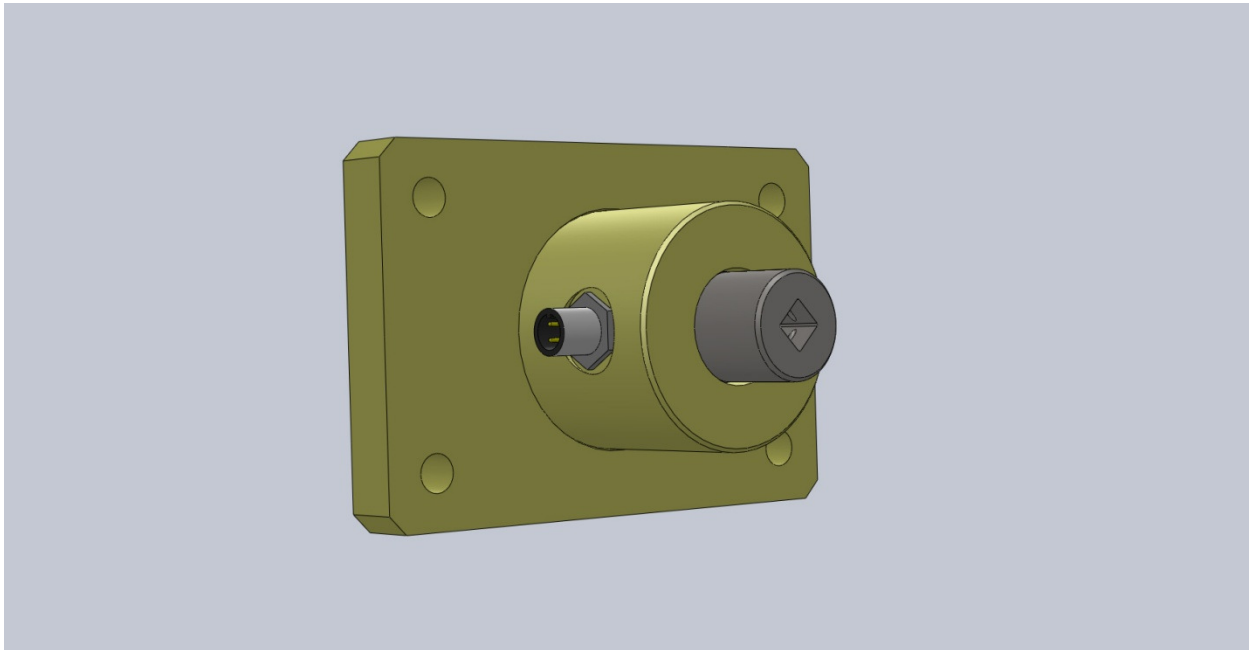


8000 Static Torque

Torque transducer

- Range from 1 to 50Nm
- Fully modular
- Square drive
- Sealed to IP64



Description

The 8000 static torque transducers are designed for many industrial applications to test and set torque wrenches. The modular design of the transducer allows for modifications and adaptations. The output is via instrument connector that can have as an option amplified signals.

Specification

ELECTRICAL

- Recommended excitation 10 Vdc.
- Maximum excitation 15 Vdc.
- Output at rated load 2.0mV/V
- Zero balance 5% of RL
- Input impedance 700ohms +/-20
- Output impedance 700ohm +/-3
- Insulation $>10^9$ ohms
- Compensation temp range 10 to 60 C
- Safe temp range -30 to 70 C

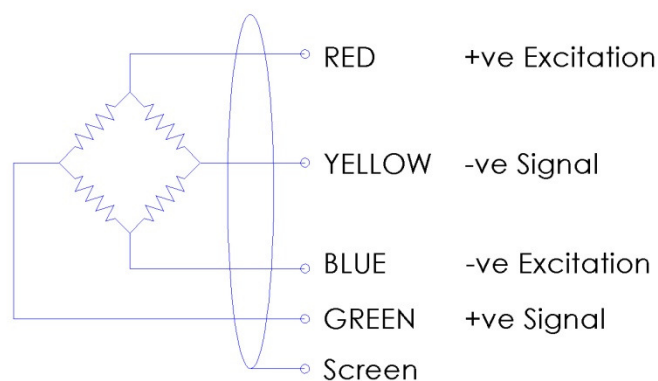
MECHANICAL

- Safe overload 150% of RL
- Ultimate overload 300% of RL
- Deflection <0.5 mm
- Cable type 4 core screened
- Cable length 6 M
- Sealed IP68

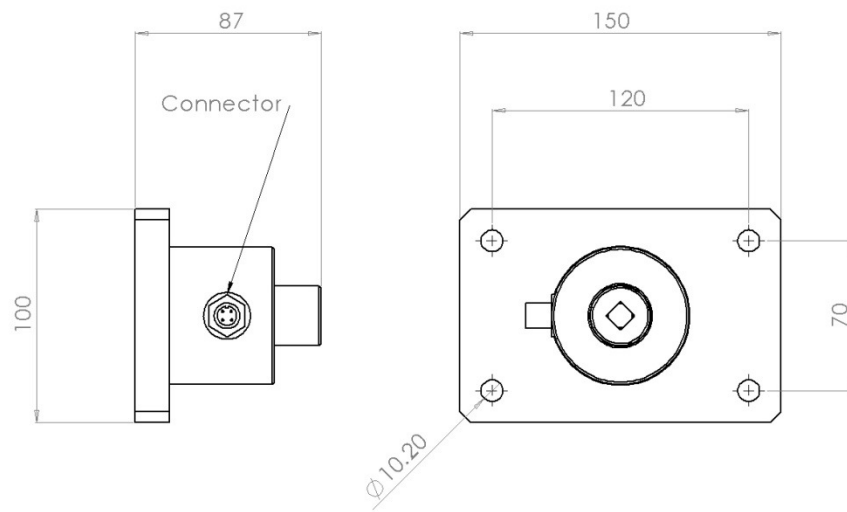
Accuracy

- Non linearity & hysteresis 1.0%
- Non repeatability $<0.25\%$
- Zero return (after 30 mins). 0.05%
- Temp effect/10deg C on zero 0.02%
- Temp effect/10deg C on span 0.02%

Wiring



Drawing



Dimensions

RATING Nm	Remarks
1	
5	
10	
20	
50	

Additional Notes

Specification may change without notice